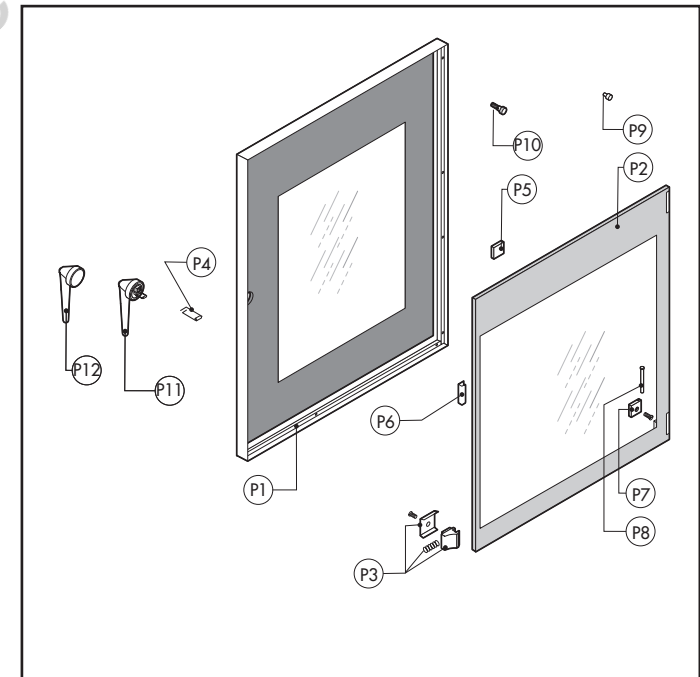
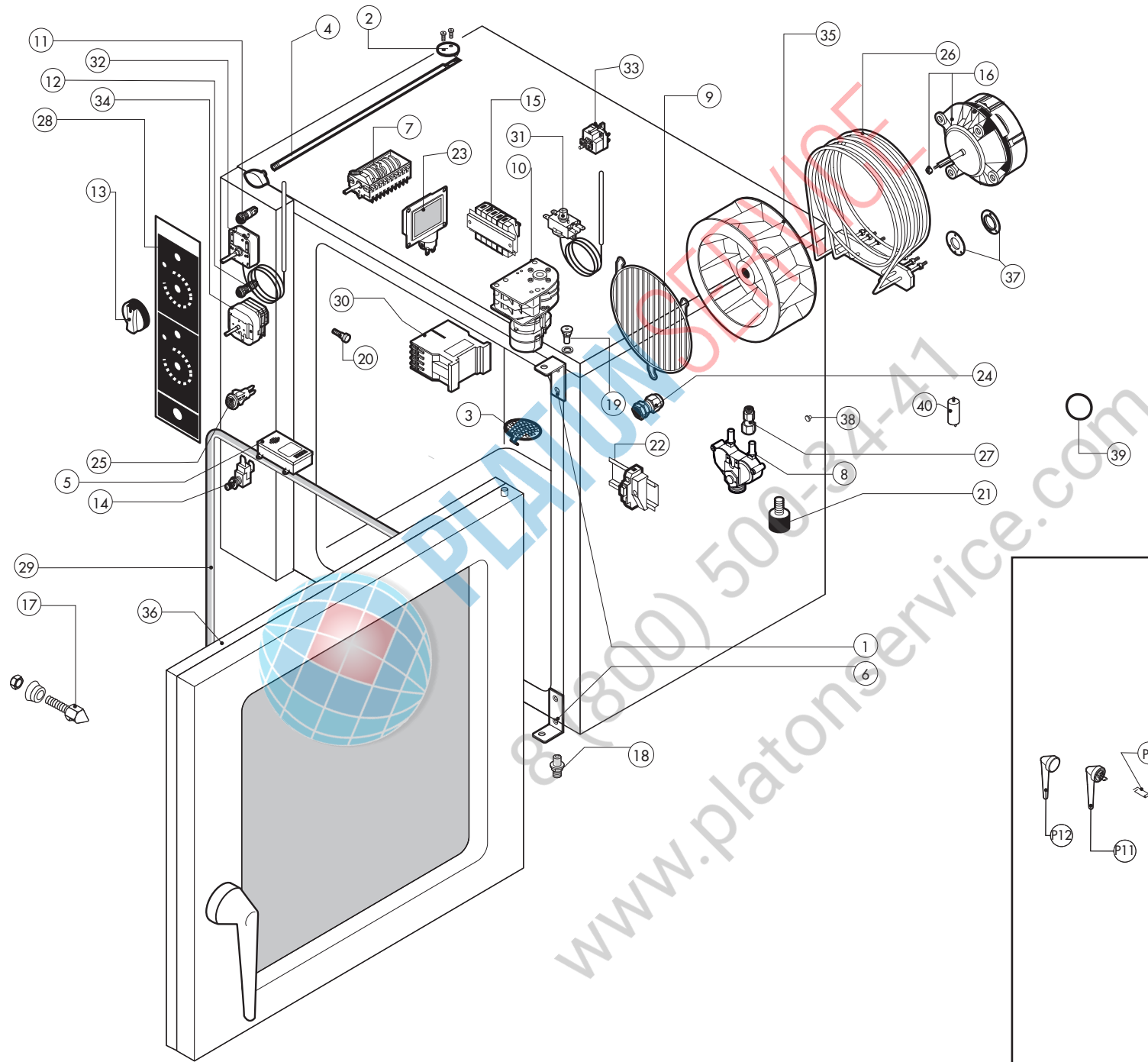


**ATTENZIONE:** PER TENSIONI SPECIALI, SPECIFICARE SEMPRE IL MODELLO DI FORNO ED IL NUMERO DI MATRICOLA  
**ATTENTION:** FOR SPECIAL VOLTAGES, PLEASE ALWAYS SPECIFY THE OVEN MODEL AND THE SERIAL NUMBER

**ATTENTION:** POUR TENSIONS SPÉCIALES, MERCI DE SPÉCIFIER TOUJOURS LE MODÈLE DU FOUR ET LE NUMÉRO DE SÉRIE  
**ACHTUNG:** BEI SONDRSPANNUNGEN, BITTE IMMER OFEN-MODELL UND SERIENNUMMER GEBEN.

ed. 0713



| POS. | COD.      | Pz. | DESCRIZIONE  | DESCRIPTION                | DESCRIPTION                          | BESCHREIBUNG                     | DESCRIPCIÓN                     |
|------|-----------|-----|--|----------------------------|--------------------------------------|----------------------------------|---------------------------------|
| 1    | R17201110 | 1   | ASS.CERNIERA SUP.PORTA REC-REV-REP 2011                              | UPPER HINGE                | CHARNIERE SUPERIEUR                  | OBERES SCHARNIER                 | BISAGRA SUPERIOR                |
| 2    | R18200600 | 1   | ASS.FARFALLA M_042/051 REV M   | CHAMBER VENT PLATE         | ENTFEUCHUNGSSCHIEBER                 | DISQUE EVENT                     | DISCO RESPIRADERO               |
| 3    | R10201700 | 1   | ASS.FILTRO DI SCARICO D.76/44.5 M/106-11                             | DRAIN FILTER               | FILTRE ENCEINTE                      | ABFLUSSFILTER                    | FILTRO DESAGUE                  |
| 4    | R58003560 | 1   | ASTA SFIATO REV 051/071/101 M  | CHAMBER VENT ROD           | BARRE COMMANDE EVENT                 | SCHIEBERACHSE                    | EJE RESPIRADERO                 |
| 5    | R65330050 | 1   | BUZZER TEMPOR.3" 230V C/SCAT.  | BUZZER 3"                  | SONNERIE 3"                          | SUMMER MIT ZEITGLEID             | ZUMBADOR TEMPORIZADO 3"         |
| 6    | R17403910 | 1   | CERNIERA INF. PORTA REGOL.REC-REV-REP                                | LOWER HINGE                | CHARNIERE INFERIEUR                  | UNTERES SCHARNIER                | BISAGRA INFERIOR                |
| 7    | R65080020 | 1   | COMMUTATORE 5 POS.-SERIE 7LA COD.88.0900                             | MAIN SELECTOR SWITCH       | COMMUTATEUR                          | SCHALTER                         | CONMUTADOR                      |
| 8    | R65110210 | 1   | E.V. 2 VIE 220V 50HZ X J.G.CON ATTACC                                | SOLENOID VALVE 220V 50HZ   | ELECTROVANNE 220V 50HZ               | MAGNETVENTIL 220V 50HZ           | ELECTROVALVULA 220V 50HZ        |
| 9    | R75300150 | 2   | GRIGLIA VENTILATORE D.170  | FAN GUARD GRID D.170       | GRILLE VENTILATEUR D.170             | VENTILATORSCHUTZGITTER D.170     | REJILLA VENTILADOR D.170        |
| 10   | R65090170 | 1   | INVERSORE CICLICO 8' 3 CAMME   | REVERSING SWITCH           | INVERSEUR                            | POLWENDER                        | INVERSOR CICLICO                |
| 11   | R65270300 | 2   | LUCE SPIA GIALLA ALPHATECH SL 656 TZB                                | ORANGE INDICATING LIGHT    | LAMPE TEMOIN ORANGE                  | ORANGENE KONTROLLAMPE            | LAMPARA PILOTO NARANJA          |
| 12   | R65270320 | 1   | LUCE SPIA VERDE ALPHATECH SL 656 TZA                                 | GREEN INDICATING LIGHT     | LAMPE TEMOIN VERT                    | GRUENE KONTROLLAMPE              | LAMPARA PILOTO VERDE            |
| 13   | R69030130 | 3   | MANOPOLA BLU/BLU D.42  | KNOB KIT                   | POIGNEE COMMANDE                     | DREHKNOPF                        | PULSADOR MANETA                 |
| 14   | R65260540 | 1   | MICRO PORTA  | DOOR SWITCH                | MICRO PORTE                          | TUERSCHALTER                     | MICRO PUERTA                    |
| 15   | R65220091 | 1   | MORSETTIERA LX2E (TIPO 2) NEW  | TERMINAL BOARD             | BORNIER                              | KLEMMLEISTE                      | REGLETERA                       |
| 16   | R65041040 | 2   | MOTORE 1F.125Win-75Wout 2VEL C/COND. FIR                             | MOTOR                      | MOTEUR                               | MOTOR                            | MOTOR                           |
| 17   | R69010260 | 1   | NASELLO 1 STEP 6303-020022   | DOOR LATCH 1 STEP          | GACHE DE PORTE POUR OUVERTURE SIMPLE | SCHLIESSNASE 1 STUFE             | NARIZ 1 CIERRE                  |
| 18   | R58002520 | 1   | PERNO INF.CERNIERA REG. V/061-102                                    | LOWER HINGE PIN            | CHEVILLE CHARNIERE INFERIEURE        | UNTERES SIE SCHARNIERSTIFT       | PERNO INFERIOR BISAGRA          |
| 19   | R58002150 | 1   | PERNO SUP.CERNIERA REG. M/106-220                                    | UPPER HINGE PIN            | CHEVILLE CHARNIERE SUPERIEURE        | OBERES SCHARNIERSTIFT            | PERNO SUPERIOR BISAGRA          |
| 20   | R58001850 | 16  | PERNO SUPP. PARATIE M5 MIXTER  | RACK HOLDER                | BOLZEN AUFLAGESCHIENEN               | SUPPORT GLISSIERE                | PERNO SOPORTE MAMPARO           |
| 21   | R69070220 | 4   | PIEDINO INOX+NYLON D.40 H TOT.60 FIL.M10                             | FOOT                       | VERIN                                | ZYLINDRISCHER FUSS               | PIE ACERO                       |
| 22   | R65210020 | 2   | PORTAFUSIBILE BARRA DIN 5x20   | FUSE CARRIER               | PORTE-FUSIBLE                        | SICHERUNGSHALTER                 | PORTAFUSIBILE                   |
| 23   | R65270510 | 2   | PORTALAMPADA STAGNO ALPHATECH 77.705.U10                             | WATERPROOF LIGHT SOCKET    | DOUILLE ETANCHEE                     | DICHTE LAMPEHALTERUNG            | PORTALAMPARA ESTANCO            |
| 24   | R65240200 | 1   | PRESSACAVO V-TEC 21 NERO   | FAIRLEAD                   | PRESSE CABLE                         | ZUGENTLASTUNG                    | PRENSACABLES                    |
| 25   | R65260520 | 1   | PULSANTE COMANDO UMIDIFICATORE TIPO SPL60                            | HUMIDIFIER PUSH BUTTON     | TOUCHE HUMIDIFICATEUR                | BESCHWADUNGSDRUCKTASTE           | PULSADOR UMIDIFICADOR           |
| 26   | R65011730 | 2   | RESIST.7000W230V CAM. ALPHA INCO-LOY800                              | HEATING ELEMENT            | RESISTANCE                           | HEIZKOERPER                      | RESISTENCIA                     |
| 27   | R62090788 | 2   | RIDUZIONE INTER.DRITTA ø10-ø6 PM201006E                              | REDUCTION                  | REDUCTION                            | VERRINGERUNG                     | REDUCCION                       |
| 28   |           | 1   | TASTIERA   | PLATE                      | PLAQUE                               | BEDIENUNGSFOLIE                  | TARJETA                         |
| 29   | R70044410 | 1   | TELAIO GUARNIZIONE PORTA REV 101                                     | FRONT GASKET               | JOINT FACADE                         | DICHTUNG DER FRONTSEITE          | JUNTA FRONTAL                   |
| 30   | R65140400 | 2   | TELERUTTORE 3RT1025-1AL20 SIEMENS                                    | CONTACTOR                  | CONTACTEUR                           | SCHUETZ                          | CONTACTOR                       |
| 31   | R65070460 | 1   | TERMOST.SICUR.BIP.360°C NEGAT.                                       | THERMOSTAT                 | THERMOSTAT                           | THERMOSTAT                       | TERMOSTATO                      |
| 32   | R65070400 | 1   | TERMOSTATO 50/300°C KT 170 CLA                                       | THERMOSTAT 50/300°C        | THERMOSTAT 50/300°C                  | THERMOSTAT 50/300°C              | TERMOSTATO 50/300°C             |
| 33   | R65070165 | 1   | TERMOSTATO 65°C  | THERMOSTAT 65°C            | THERMOSTAT 65°C                      | THERMOSTAT 65°C                  | TERMOSTATO 65°C                 |
| 34   | R65090090 | 1   | TIMER ELETTRON.120' C/POS.MAN.MS65 6935A                             | TIMER                      | MINUTERIE                            | ZEITSCHALTUHR                    | TEMPORIZADOR                    |
| 34   | R65090110 | 1   | TIMER ELETTRON. 120' C/POS. M. 14000F3120ME0 DALLA SETTIMANA 27/2013 | TIMER FROM WEEK 27/2103    | MINUTERIE DU SEMAINE 27/2013         | ZEITSCHALTUHR VOM WOCHEN 27/2013 | TEMPORIZADOR DEL SEMANA 27/2013 |
| 35   | R75400410 | 2   | VENTOLA D.180X77/12 50HZ P.D.  | FAN                        | TURBINE                              | LUEFTERRAD                       | PALA VENTILADOR                 |
| 36   | R17102850 | 1   | PORTA COMPLETA REV-RGV101 LX   | DOOR ASSEMBLY              | PORTE COMPLETE                       | TUER KOMPLETT                    | PUERTA COMPLETA                 |
|      | R17105420 | 1   | PORTA COMPLETA SERIGRAFATA REV-RGV101 AT                             | DOOR ASSEMBLY              | PORTE COMPLETE                       | TUER KOMPLETT                    | PUERTA COMPLETA                 |
| 37   | R58005500 | 2   | FLANGIA GUARNIZIONE MOTORE   | MOTOR GASKET BRASS FLANGE  | BRIDE JOINT MOTEUR                   | FLANSCH F. MOTORDICHTUNG         | BRIDA JUNTA MOTOR               |
| 38   | R65110500 | 2   | REGOL. PORT. MARR. ATCH. 10L/h                                       | 10 LT/H WATER FLOW REDUCER | REGULATUER DE DEBIT 10 LT.           | DURCHFLOSSMONDERER 10L/STD.      | REGULADOR DE CAUDAL 10 LT.      |
| 39   | R70010140 | 1   | GUARNIZIONE SILICONE ROSSO 76x40,3x3                                 | RED GASKET 76x40,3x3       | ROUGE JOINT 76x40,3x3                | ROTEN DICHTUNG 76x40,3x3         | JUNTA ROJA 76x40,3x3            |
| 40   | R65190080 | 1   | CONDENSATORE 5 µF  | CAPACITOR                  | CONDENSATEUR                         | KONDENSATOR                      | CONDENSADOR                     |

| POS. | COD.      | Pz. | DESCRIZIONE                              | DESCRIPTION             | DESCRIPTION                             | BESCHREIBUNG                    | DESCRIPCIÓN                   |
|------|-----------|-----|--|-------------------------|---|---------------------------------|-------------------------------|
| P1   | R17200870 | 1   | ASS.PORTA 101                            | EXTERNAL DOOR           | PORTE D'EXTERNAL                        | AUSSENTÜR                       | PUERTA EXTERNA                |
|      | R17201630 | 1   | PORTA ESTERNA REV-RGV101 SERIGRAFATA AT  | EXTERNAL DOOR           | PORTE D'EXTERNAL                        | AUSSENTÜR                       | PUERTA EXTERNA                |
| P2   | R71201890 | 1   | VETRO POST. PORTA REC-REV_101 630X855X6  | DOOR GLASS              | VITRE PORTE                             | HARTGLASS                       | VIDRIO                        |
| P3   | R58001780 | 2   | FERMO VETRO PORTA P2000                  | INNER GLASS CATCH KIT   | ENSEMBLE ARRET VERRE INTERIEUR          | VERSCHLUSSSATZ F. INNENSCHIEBE  | KIT FIJACION VIDRIO INTERNO   |
| P4   | R61620152 | 1   | MOLLA AGGANCIAMENTO NASELLO CORTA        | DOOR LOCK SPRING        | RESSORT DE FERMETURE PORTE              | TÜR SCHLUSSFEDER                | MUELLE DE ENGANCHE A TRINQUET |
| P5   | R18404520 | 2   | SPESSORE PROTEZIONE VETRO                | THICKNESS               | EPAISSEUR                               | DICKE                           | ESPOR                         |
| P6   | R11425830 | 2   | PROT. VETRO PORTA 2011 1LATO40+1LATO15   | GLASS PROTECTION        | PROTECTION DE VERRE                     | GLASSCHUTZ                      | PROTECCION VIDRIO             |
| P7   | R58001760 | 2   | CERNIERA FISSA VETRO SR2000              | INNER GLASS SOLID HINGE | CHARNIERE VERRE INTERIEUR               | SCHARNIER F. INNENSCHIEBE       | BISAGRA FIJA VIDRIO INTERNO   |
| P8   | R58001770 | 2   | PERNO CERNIERA VETRO SR2000              | INNER GLASS HINGE PIN   | PIVOT CHARNIERE VERRE INTERIEUR         | SCHARNIERBOLZEN F. INNENSCHIEBE | PERNO BISAGRA VIDRIO INTERNO  |
| P9   | R70050100 | 6   | TASSELLO BATTUTA VETRO SR.2000           | GLASS SILICON SPACERS   | GOIJON SILICONIQUE ARRETE-VITRAGE PORTE | SILIKONANSCHLAG F. INNENSCHIEBE | TOPE GOLPE VIDRIO             |
| P10  | R58001860 | 1   | PERNO SUPP. PARATIE ALPHATECH            | RACK HOLDER             | SUPPORT GLISSIERE                       | BOLZEN AUFLAGESCHIENEN          | PERNO SOPORTE MAMPARO         |
| P11  | R69010290 | 1   | GRUPPO CHIU.BASC.C/AN.CROM.6303-BLU-CORT | DOOR CATCH KIT          | ENSAMBLE FERMETURE PORTE                | VERSCHLUSSSATZ                  | MANIJA DE LA PUERTA           |
| P12  | R18211890 | 1   | ASS.COPERTURA MANIGLIA PORTA CEV         | DOOR HANDLE             | POIGNEE DE PORTE                        | GRIFFKORPUS                     | CUERPO MANETA                 |
|      |           |     |  |                         |   |                                 |                               |
|      |           |     |  |                         |   |                                 |                               |
|      |           |     |  |                         |   |                                 |                               |
|      |           |     |  |                         |   |                                 |                               |
|      |           |     |  |                         |   |                                 |                               |
|      |           |     |  |                         |   |                                 |                               |
|      |           |     |  |                         |   |                                 |                               |
|      |           |     |  |                         |   |                                 |                               |
|      |           |     |  |                         |   |                                 |                               |
|      |           |     |  |                         |   |                                 |                               |
|      |           |     |  |                         |   |                                 |                               |
|      |           |     |  |                         |   |                                 |                               |
|      |           |     |  |                         |   |                                 |                               |
|      |           |     |  |                         |   |                                 |                               |
|      |           |     |  |                         |   |                                 |                               |
|      |           |     |  |                         |   |                                 |                               |
|      |           |     |  |                         |   |                                 |                               |
|      |           |     |  |                         |   |                                 |                               |
|      |           |     |  |                         |   |                                 |                               |
|      |           |     |  |                         |   |                                 |                               |
|      |           |     |  |                         |   |                                 |                               |
|      |           |     |  |                         |   |                                 |                               |
|      |           |     |  |                         |   |                                 |                               |